



Town of Greenwich
 Planning & Zoning Department /
 Town Hall - 101 Field Point Road, Greenwich, CT 06830-2540
 Phone: (203)622-7894 - Fax: (203)622-3795

APPLICATION FOR SIGN / AWNING REVIEW

Name of Project: La Suite
 Address of Project: 270 Mason St.
 Tax ID: 20-4778937 Building Zone: _____
 Proposed Use of Floor Space: Salon
 Previous Occupant: Le Salon Bleu Previous Use: Salon
 Other tenants/uses in the building: NO
 Changes to the floor area (GSF): Existing: N/A Proposed: _____
 Site plan been submitted to Planning and Zoning for this site/project? NO YES: _____
 Has this project been reviewed by ARC prior to this submission? NO YES: _____

Building Frontage <u>24.63'</u>	Number of Proposed Signs <u>4</u>
Size of sign(s) <u>16" x 62" / 226" x 13.5" / 12" x 20"</u>	Size of awning(s): <u>12'11" x 24" / 2 x 3' x 24"</u>
Is sign illuminated? <input type="checkbox"/> NO <input checked="" type="checkbox"/> YES: (method of illumination) _____	
Is the sign free standing? <input checked="" type="checkbox"/> NO <input type="checkbox"/> YES: (dimensions of post) _____	
Total Area of all signs: <u>6.89 sq ft / 1.56 / 1.51 sq ft.</u>	
Zoning Enforcement preliminary review (initials): <u>[Signature]</u>	

Will there be any site work? NO YES: (describe) _____
 Will there be any changes to exterior of the building? NO YES: (describe) _____
 X Name of Property Owner: Sutton Land LLC
 X Signature of Property Owner: [Signature] Guy Sutton, managing member
 Name of Applicant: SIGN DESIGN + JC AWNING
 Email: *This email address will be used to contact you.* Sue@NYSIGNDESIGN.COM
 Daytime Phone: 914-937-6360
 Applicant Signature: [Signature] Theo Gray
 Sign/Awning Company: SIGN DESIGN + JC AWNING
 Sign/Awning Company's Phone Number: 914-937-6360
 Email address of the sign Company: Sue@NYSIGNDESIGN.COM
 Check # _____ Check Amount: PLPZ

Signage and Awnings for La Suite

270 Mason Street, Greenwich, CT

Proposed

TO BE REMOVED



SD
SIGN DESIGN
CREATIVE SIGNAGE DEVELOPMENT



404 Willett Avenue
Port Chester NY 10573
Phone: 914-937-6360
FAX: 914-937-0105
www.nysigndesign.com
Email: signs@nysigndesign.com

Project Contact: **Seth Kombiau**

Drawn By: **HM**

PM: **SK**

Date: **6-4-21**

Job / Client: **La Suite**

lasuite

Exterior Sign

Black Awnings

Address Numbers

Interior Box Sign

CLIENT ACCEPTANCE

Print Name: _____

Sign Name: _____

Approval Date: _____

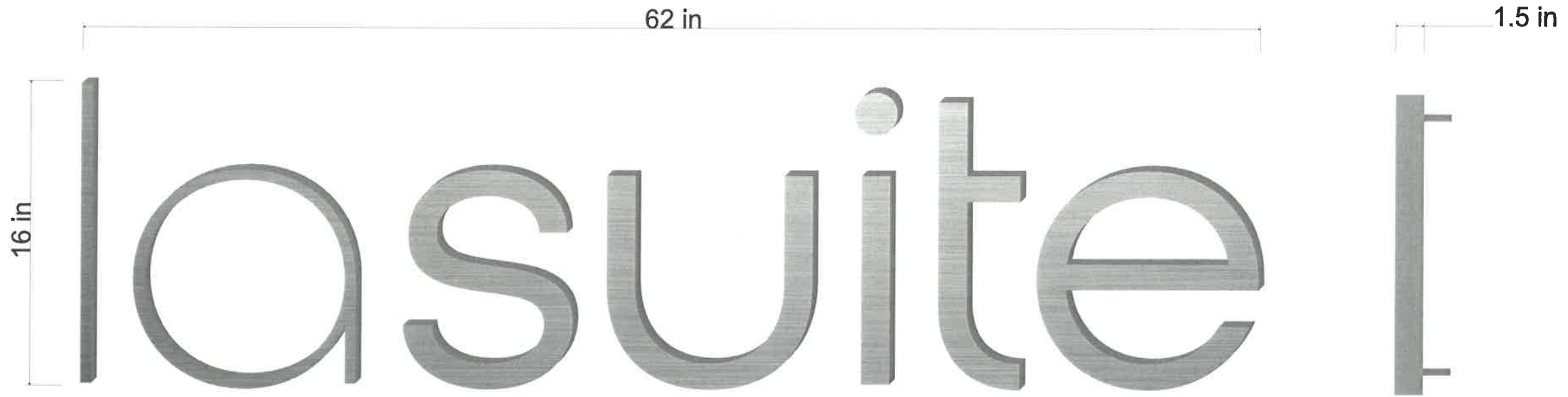
Revision Date: _____

2

Halo Lit Sign for La Suite

270 Mason Street, Greenwich, CT

6.89 sq ft



404 Willett Avenue
 Port Chester NY 10573
 Phone: 914-937-6360
 FAX: 914-937-0105
 www.nysigndesign.com
 Email: signs@nysigndesign.com

Project Contact: **Seth Komblau**
 Drawn By: **HM**
 PM: **SK**
 Date: **6-4-21**
 Job / Client: **La Suite**

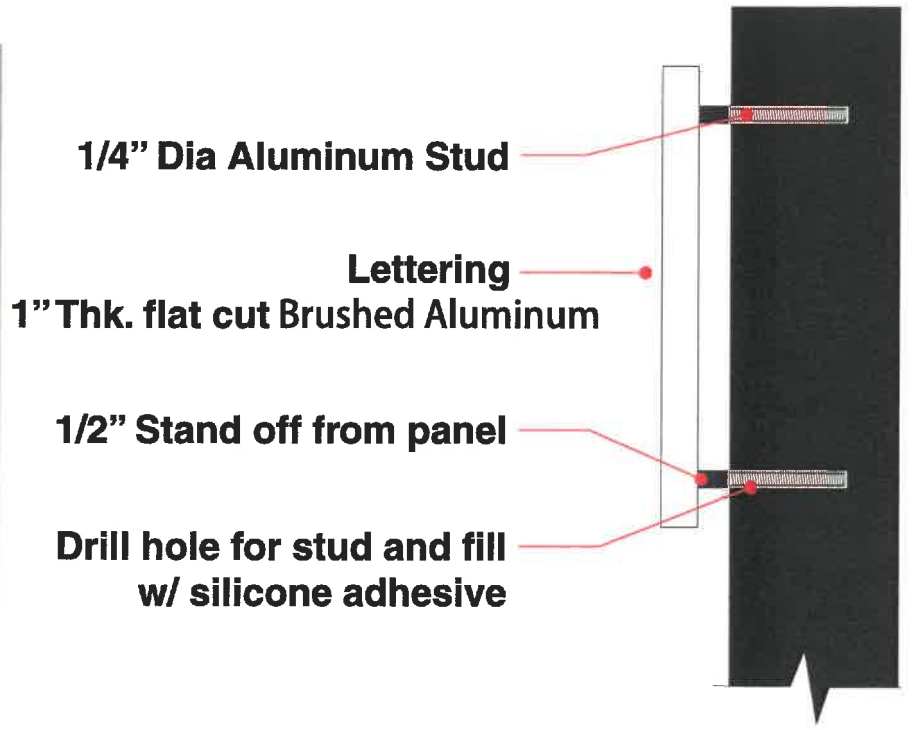
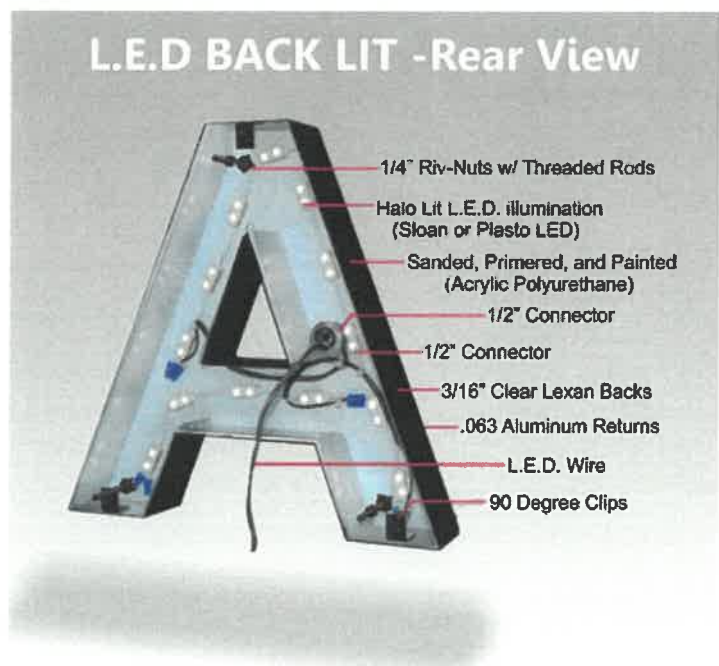
lasuite

1.5" Thickness
 Horizontal Brushed Aluminum
 White LED's for Halo Lights

SPECS:



**HORIZONTAL GRAIN
 Aluminum Stud
 Mounted Letters**



Halo Lit "La Suite" Logo Sign
 16"h x 62"w

1.5" Thickness, Brushed Aluminum face

CLIENT ACCEPTANCE

Print Name: _____

Sign Name: _____

Approval Date: _____

Revision Date: _____

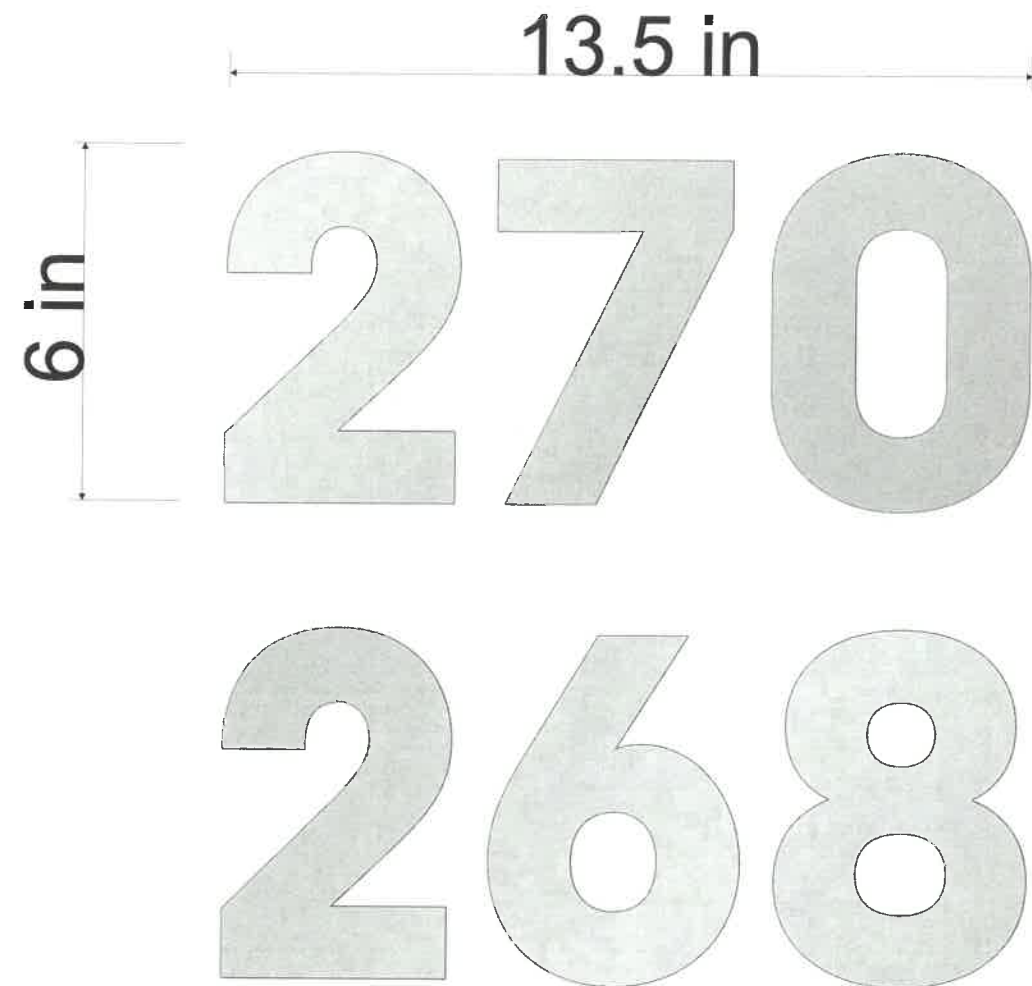
THIS PRINTED COLOR RENDERING IS INTENDED TO BETTER APPROXIMATE COLOR HUES AND DISTRIBUTION. BEST EFFORTS HAVE BEEN MADE TO SIMULATE THE ACTUAL COLOR(S). HOWEVER, EXACT COLOR(S) CAN ONLY BE SEEN FROM THE SPECIFIED COLOR SYSTEM'S CHIP OR SAMPLE

This custom design is the exclusive property of SignDesign & J.C. Awning. All rights to its use and reproduction are reserved.

3

Halo Lit Sign for La Suite

270 Mason Street, Greenwich, CT



Pin Mounted #268 and #270

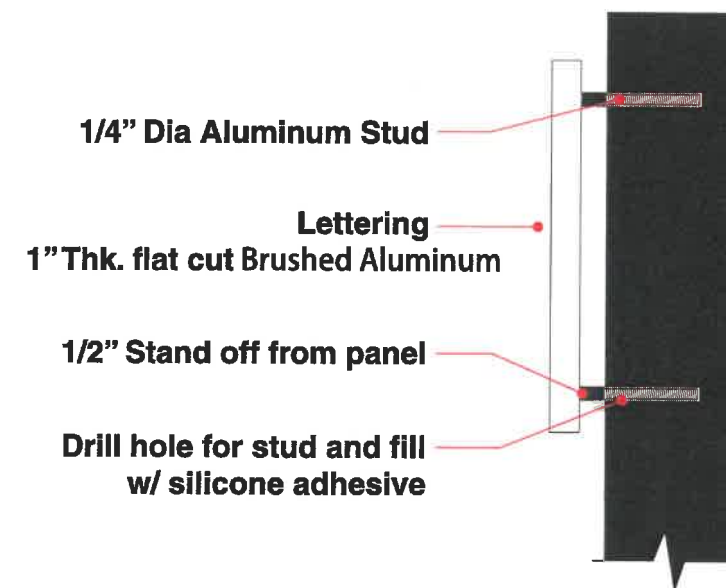
.5" Thickness, Brushed Aluminum face

.56 SQ FT EA

SPECS:



HORIZONTAL GRAIN Aluminum Stud Mounted Letters



TYPICAL CROSS SECTION SCALE: NTS

Z:\1Graphics\La Suite\2021\Drawings.fs

SD SIGNDESIGN CREATIVE SIGNAGE DEVELOPMENT



404 Willett Avenue
 Port Chester NY 10573
 Phone: 914-937-6360
 FAX: 914-937-0105
 www.nysigndesign.com
 Email: signs@nysigndesign.com

Project Contact: **Seth Komblau**
 Drawn By: **HM**
 PM: **SK**
 Date: **6-4-21**
 Job / Client: **La Suite**

lasuite

1.5" Thickness
 Horizontal Brushed Aluminum
 White LED's for Halo Lights

CLIENT ACCEPTANCE

Print Name: _____

Sign Name: _____

Approval Date: _____

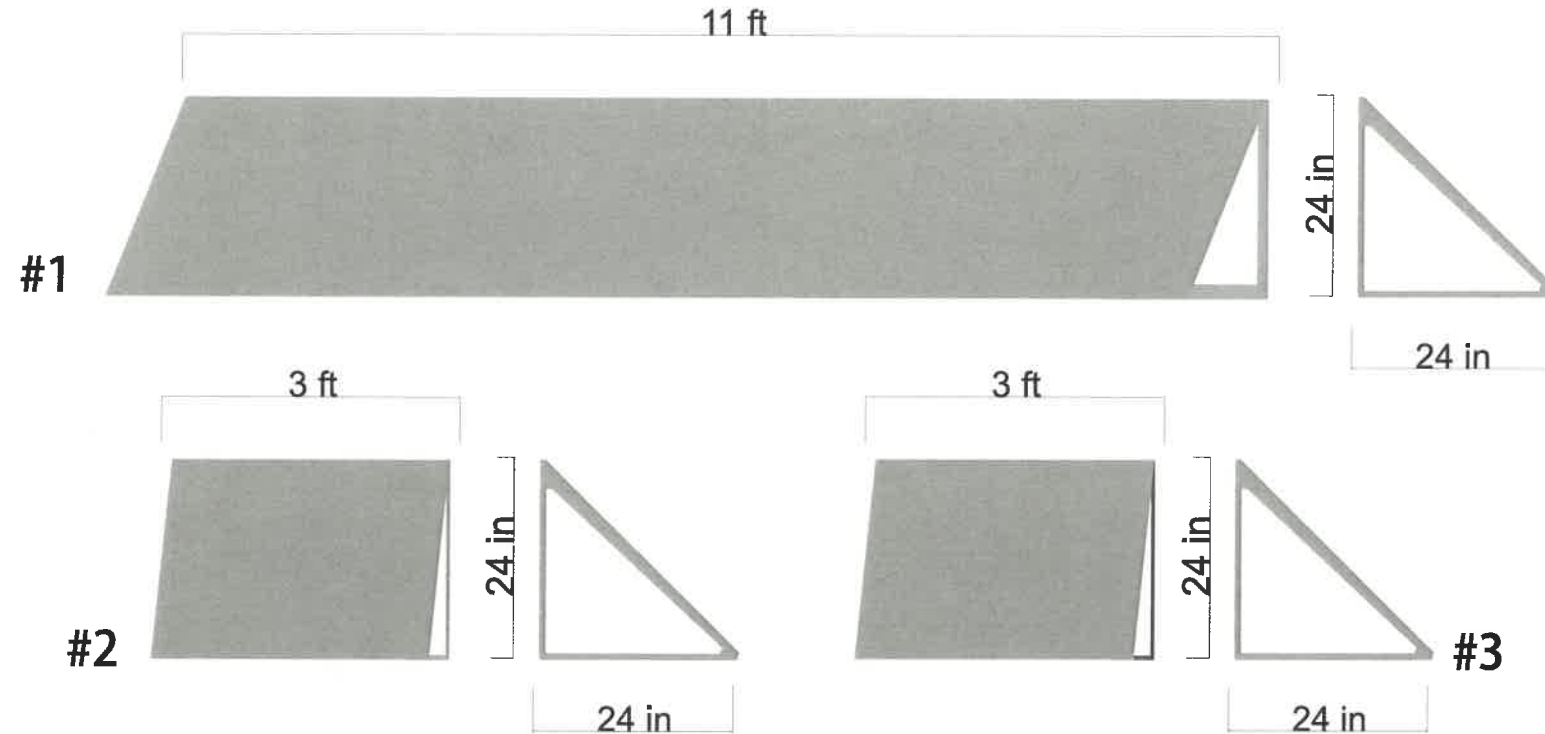
Revision Date:

This custom design is the exclusive property of SignDesign & J.C. Awning. All rights to its use and reproduction are reserved.

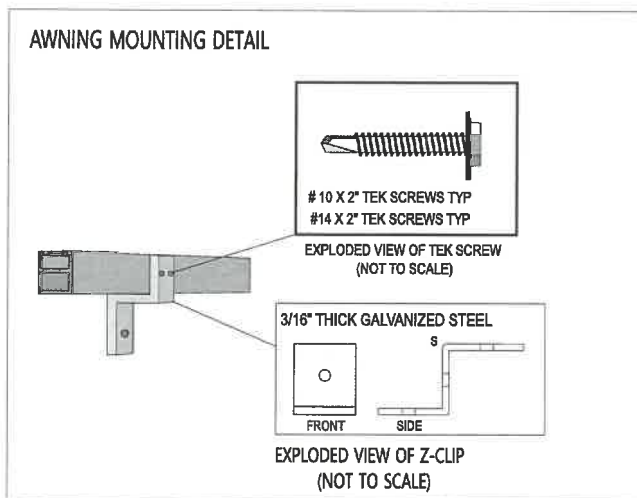
THIS PRINTED COLOR RENDERING IS INTENDED TO BETTER APPROXIMATE COLOR HUES AND DISTRIBUTION. BEST EFFORTS HAVE BEEN MADE TO SIMULATE THE ACTUAL COLOR(S). HOWEVER, EXACT COLOR(S) CAN ONLY BE SEEN FROM THE SPECIFIED COLOR SYSTEM'S CHIP OR SAMPLE

5

Signage and Awnings for La Suite 270 Mason Street, Greenwich, CT



- Awning Fabricated from 1" x1" Aluminum tube with Channel for Staple Stitch
- Fabric is Sunbrella Cadet Grey
- Open Ended Shed Awning



Color Specifications:

Sunbrella
Cadet Grey
4630



SD
SIGNDESIGN
CREATIVE SIGNAGE DEVELOPMENT



404 Willett Avenue
Port Chester NY 10573
Phone: 914-937-6360
FAX: 914-937-0105
www.nysigndesign.com
Email: signs@nysigndesign.com

Project Contact: **Seth Komblau**
Drawn By: **HM**
PM: **SK**
Date: **6-4-21**
Job / Client: **La Suite**

lasuite

- Exterior Sign
- Black Awnings
- Address Numbers
- Interior Box Sign

CLIENT ACCEPTANCE

Print Name: _____
Sign Name: _____
Approval Date: _____

Revision Date: _____

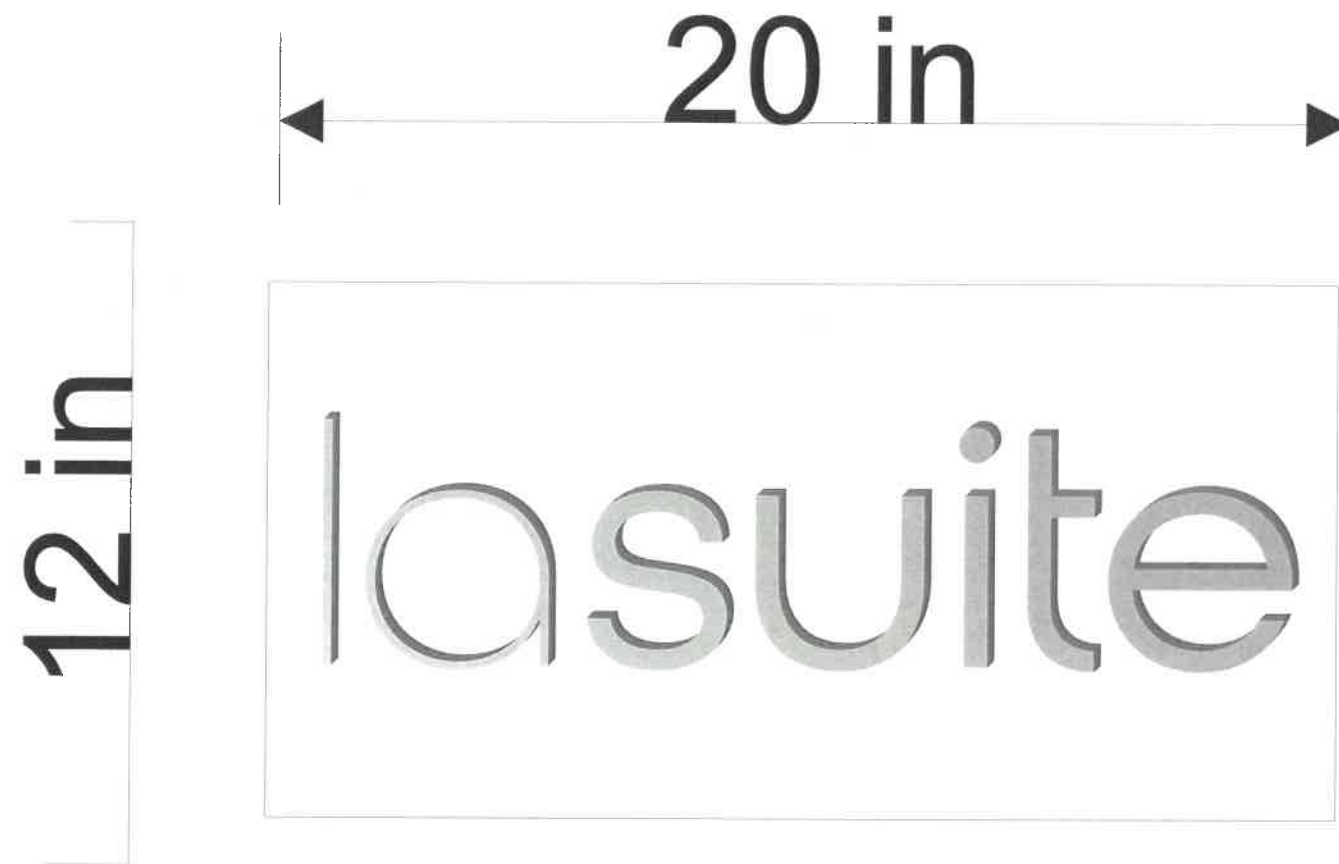
THIS PRINTED COLOR RENDERING IS INTENDED TO BETTER APPROXIMATE COLOR HUES AND DISTRIBUTION. BEST EFFORTS HAVE BEEN MADE TO SIMULATE THE ACTUAL COLOR(S). HOWEVER, EXACT COLOR(S) CAN ONLY BE SEEN FROM THE SPECIFIED COLOR SYSTEM'S CHIP OR SAMPLE

This custom design is the exclusive property of SignDesign & J.C. Awning. All rights to its use and reproduction are reserved.

6

Halo Lit Sign for La Suite

270 Mason Street, Greenwich, CT



1.67 SQ FT
0.51 in



SD
SIGNDESIGN
CREATIVE SIGNAGE DEVELOPMENT



404 Willett Avenue
Port Chester NY 10573
Phone: 914-937-6360
FAX: 914-937-0105
www.nysigndesign.com
Email: signs@nysigndesign.com

Project Contact: **Seth Kornblau**

Drawn By: **HM**

PM: **SK**

Date: **6-4-21**

Job / Client: **La Suite**

lasuite

1.5" Thickness

Horizontal Brushed Aluminum

White LED's for Halo Lights

CLIENT ACCEPTANCE

Print Name: _____

Sign Name: _____

Approval Date: _____

Revision Date: _____

Pin Mounted
.5" Thickness, Brushed Aluminum face

SPECS:



VINYL PRINT
ON DIBOND
STUD MOUNTED TO WALL



TYPICAL CROSS SECTION
SCALE: NTS

THIS PRINTED COLOR RENDERING IS INTENDED TO BETTER APPROXIMATE COLOR HUES AND DISTRIBUTION. BEST EFFORTS HAVE BEEN MADE TO SIMULATE THE ACTUAL COLOR(S). HOWEVER, EXACT COLOR(S) CAN ONLY BE SEEN FROM THE SPECIFIED COLOR SYSTEM'S CHIP OR SAMPLE

Signage and Awnings for La Suite

270 Mason Street, Greenwich, CT

Existing



Right



Left



Across

SD
SIGNDESIGN
CREATIVE SIGNAGE DEVELOPMENT



404 Willett Avenue
Port Chester NY 10573
Phone: 914-937-6360
FAX: 914-937-0105
www.nysigndesign.com
Email: signs@nysigndesign.com

Project Contact: Seth Kornblau

Drawn By: HM

PM: SK

Date: 6-4-21

Job / Client: La Suite

la suite

Exterior Sign

Black Awnings

Address Numbers

Interior Box Sign

CLIENT ACCEPTANCE

Print Name: _____

Sign Name: _____

Approval Date: _____

Revision Date: _____

This custom design is the exclusive property of SignDesign & J.C. Awning. All rights to its use and reproduction are reserved.