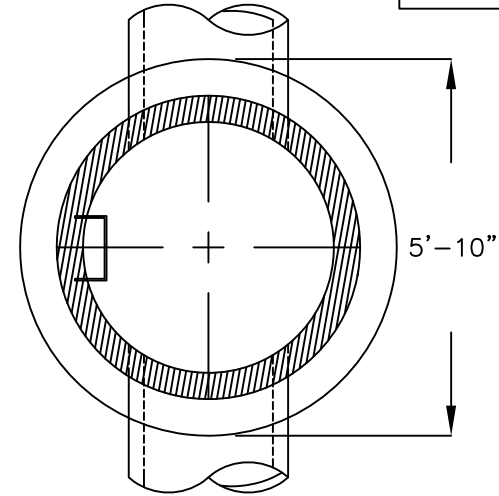


SECTIONAL ELEVATION



SECTION A-A

NOTES:

1. MANHOLES SHALL HAVE LETTERS "DRAIN" CAST ON THE COVERS AND FRAME AND THE COVER SHALL BE MADE IN U.S.A.
2. ALL INTERIOR AND EXTERIOR SURFACES OF MANHOLE GRADE ADJUSTMENT COURSES SHALL BE COVERED WITH 1/4" TO 3/8" MASONRY CEMENT PLASTER.
3. MANHOLE STEPS SHALL BE EQUAL TO PATTERN NO. 2593 AS MANUFACTURED BY THE CAMPBELL FOUNDRY COMPANY, HARRISON, N.J. (ALIGN VERTICALLY)

SCALE = N.T.S.

STANDARD CONSTRUCTION DETAIL
4' DIA. STORM DRAIN PRECAST CONCRETE MANHOLE
TOWN OF GREENWICH, CONNECTICUT ENGINEERING DIVISION DEPARTMENT OF PUBLIC WORKS