

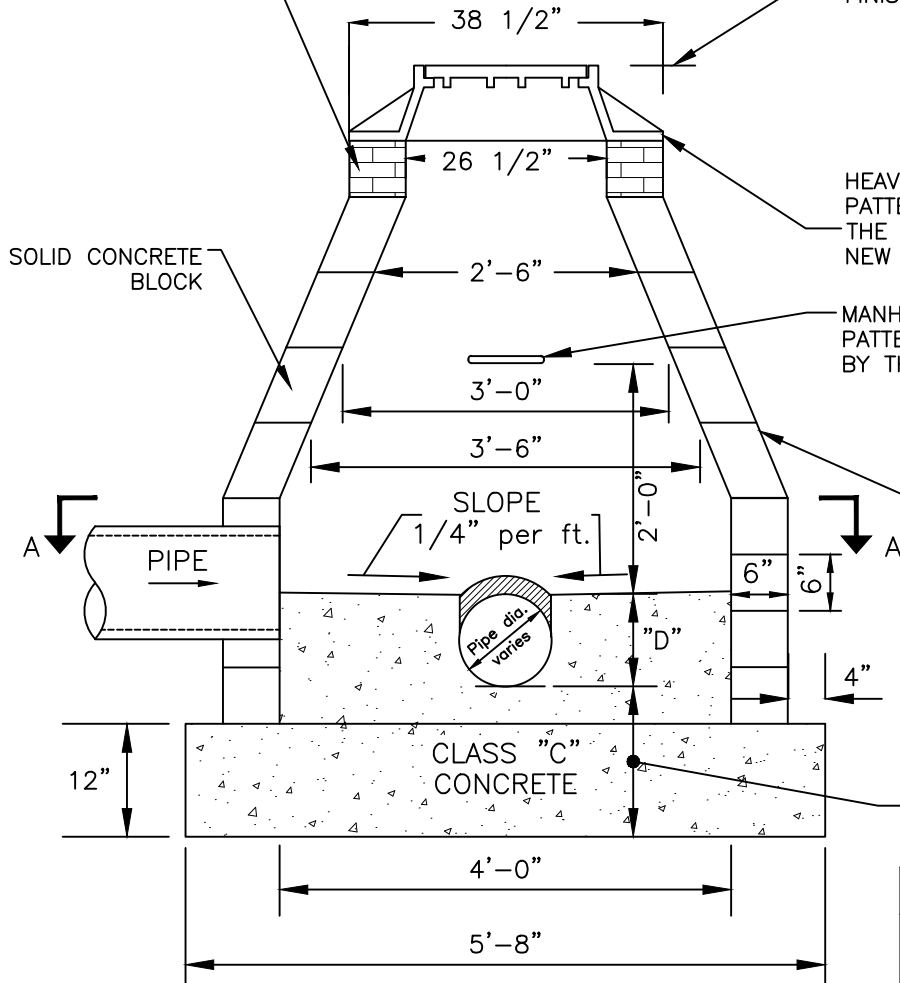
SECTION A-A

NOTES:

1. UNLESS OTHERWISE SPECIFIED, SANITARY MANHOLES SHALL HAVE LETTERS "SEWER" AND DRAIN MANHOLES SHALL HAVE LETTERS "DRAIN" CAST ON THE COVERS. THE SANITARY MANHOLE COVERS SHALL HAVE VENT HOLES.
2. ALL INTERIOR AND EXTERIOR SURFACES OF MANHOLE GRADE ADJUSTMENT COURSES SHALL BE COVERED WITH 1/4" TO 3/8" MASONRY CEMENT PLASTER.
3. ALL EXTERIOR SURFACES OF MANHOLES SHALL BE GIVEN TWO COATS OF BITUMINOUS WATERPROOFING.
4. MANHOLE FRAME AND COVER SHALL BE MADE IN U.S.A.
5. WHERE PIPE DIAMETERS ARE GREATER THAN 42", SEE SCD No. 507.66

ADJUST TO REQUIRED GRADE WITH MINIMUM 2 COURSES OF BRICK

TOP OF CASTING TO BE 1/4" BELOW FINISH GRADE IN ASPHALT PAVEMENT, FLUSH TO FINISH GRADE ELSEWHERE.



HEAVY DUTY FRAME AND COVER SHALL BE PATTERN NO. 1200 AS MANUFACTURED BY THE CAMPBELL FOUNDRY COMPANY, HARRISON, NEW JERSEY AND SHALL BE MADE IN U.S.A.

MANHOLE STEPS SHALL BE EQUAL TO PATTERN NO. 2593 AS MANUFACTURED BY THE CAMPBELL FOUNDRY COMPANY.

1" CEMENT PARGET AND BITUMINOUS WATERPROOFING ON SANITARY SEWER MANHOLE.

NOT LESS THAN 16" UNLESS OTHERWISE ORDERED.

TYPICAL SECTION

SCALE = N.T.S.

STANDARD CONSTRUCTION DETAIL
<b>TYPE "B" MANHOLE</b>
<b>(CONCRETE BLOCK)</b>
TOWN OF GREENWICH, CONNECTICUT
ENGINEERING DIVISION
DEPARTMENT OF PUBLIC WORKS