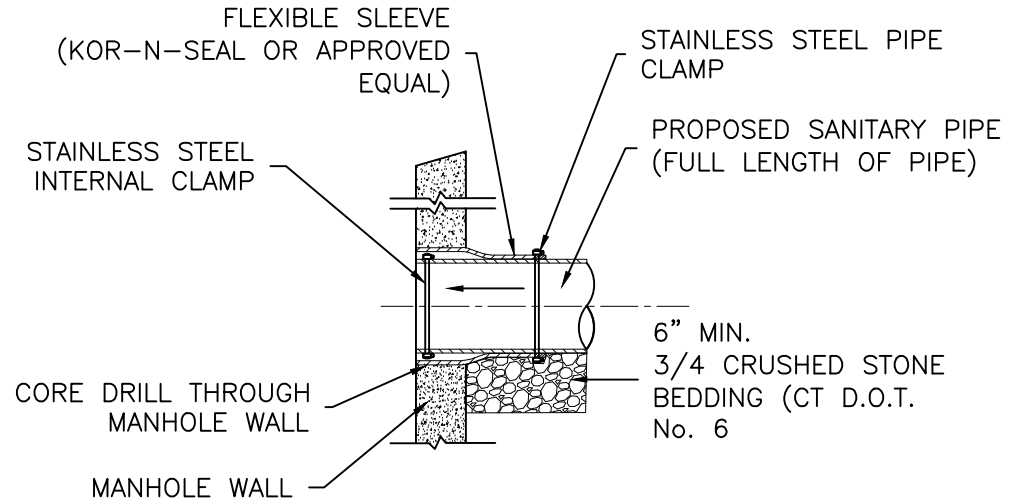


A-LOK SYSTEM

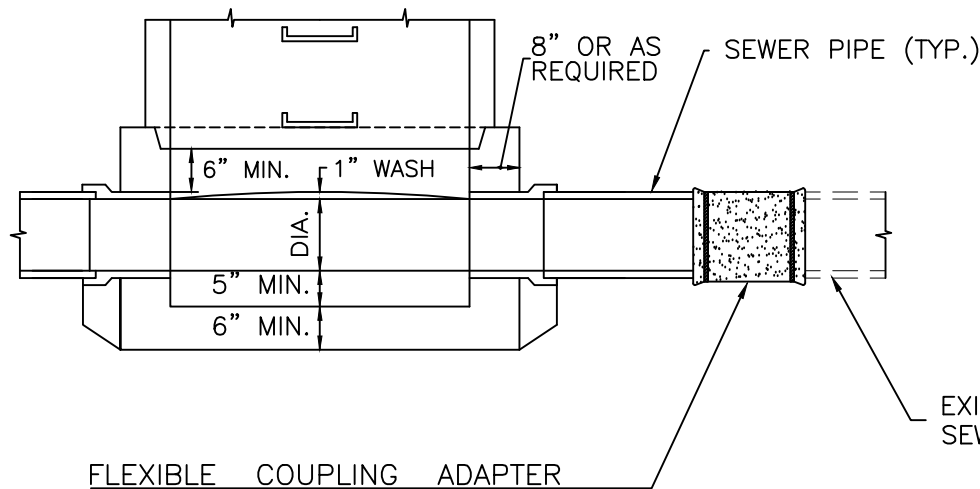
MAXIMUM STUB LENGTH	
PIPE MATERIAL	"A" (MAX)
RC	4' - 0"
PVC	3' - 3"
DI	4' - 6"



KOR-N-SEAL-BOOT

MAXIMUM STUB LENGTH	
PIPE MATERIAL	"A" (MAX)
RC	4' - 0"
PVC	3' - 3"
DI	4' - 6"

NOTE;  
ALL STRAPS AND BOLTS  
TO BE STAINLESS STEEL



FLEXIBLE COUPLING SHALL BE BANDED RUBBER (SHIELD COUPLINGS) GASKETED COUPLING TYPE WITH TYPE 316 S.S. HARDWARE AND OUTSIDE SHEER RING SHALL BE STRONG BACK SEWER COUPLING RC 5000 SERIES BY FERNCO, OR FLEX-SEAL ADJUSTABLE REPAIR COUPLING (ARC) BY MISSION.

SCALE = N.T.S.

STANDARD CONSTRUCTION DETAIL  
SANITARY SEWER  
FLEXIBLE COUPLING AND BOOT  
TOWN OF GREENWICH, CONNECTICUT  
ENGINEERING DIVISION  
DEPARTMENT OF PUBLIC WORKS