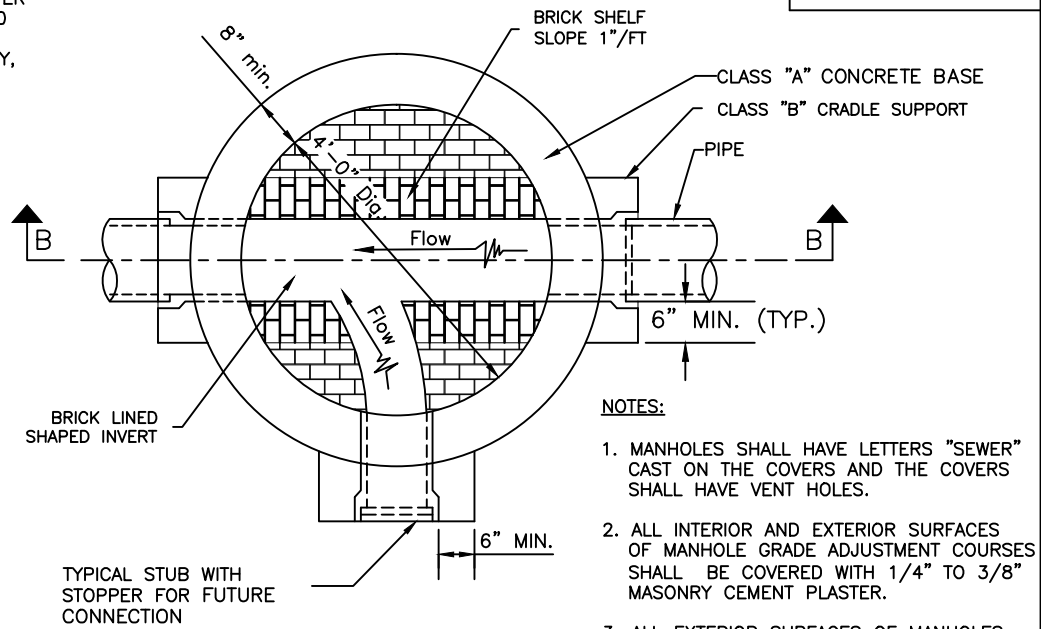
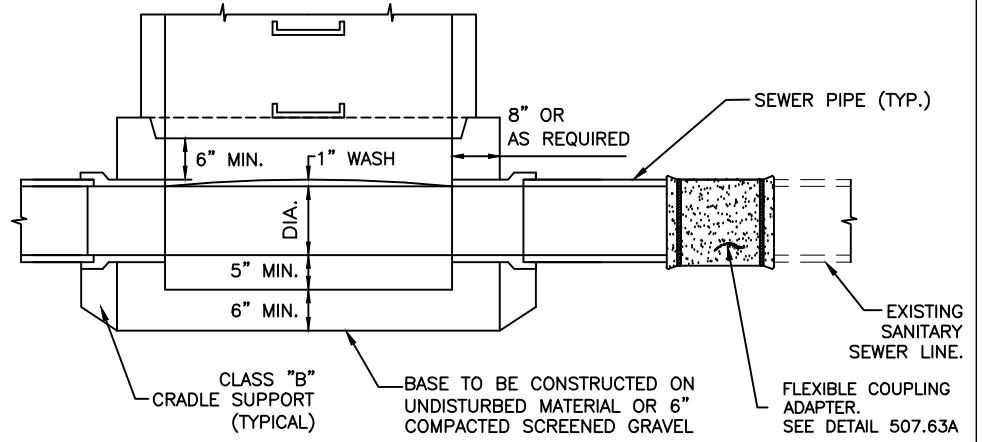


SECTIONAL ELEVATION



SECTION A-A

- NOTES:
1. MANHOLES SHALL HAVE LETTERS "SEWER" CAST ON THE COVERS AND THE COVERS SHALL HAVE VENT HOLES.
  2. ALL INTERIOR AND EXTERIOR SURFACES OF MANHOLE GRADE ADJUSTMENT COURSES SHALL BE COVERED WITH 1/4" TO 3/8" MASONRY CEMENT PLASTER.
  3. ALL EXTERIOR SURFACES OF MANHOLES SHALL BE GIVEN TWO COATS OF BITUMINOUS WATER-PROOFING.
  4. MANHOLE FRAME AND COVER SHALL BE MADE IN U.S.A.



SECTION B-B

STANDARD CONSTRUCTION DETAIL

SANITARY SEWER  
 PRECAST CONCRETE MANHOLE  
 TOWN OF GREENWICH, CONNECTICUT  
 ENGINEERING DIVISION  
 DEPARTMENT OF PUBLIC WORKS

SCALE = N.T.S.