

#6 BARS AT 12" O.C. BOTH WAYS AS SHOWN OR DIRECTED

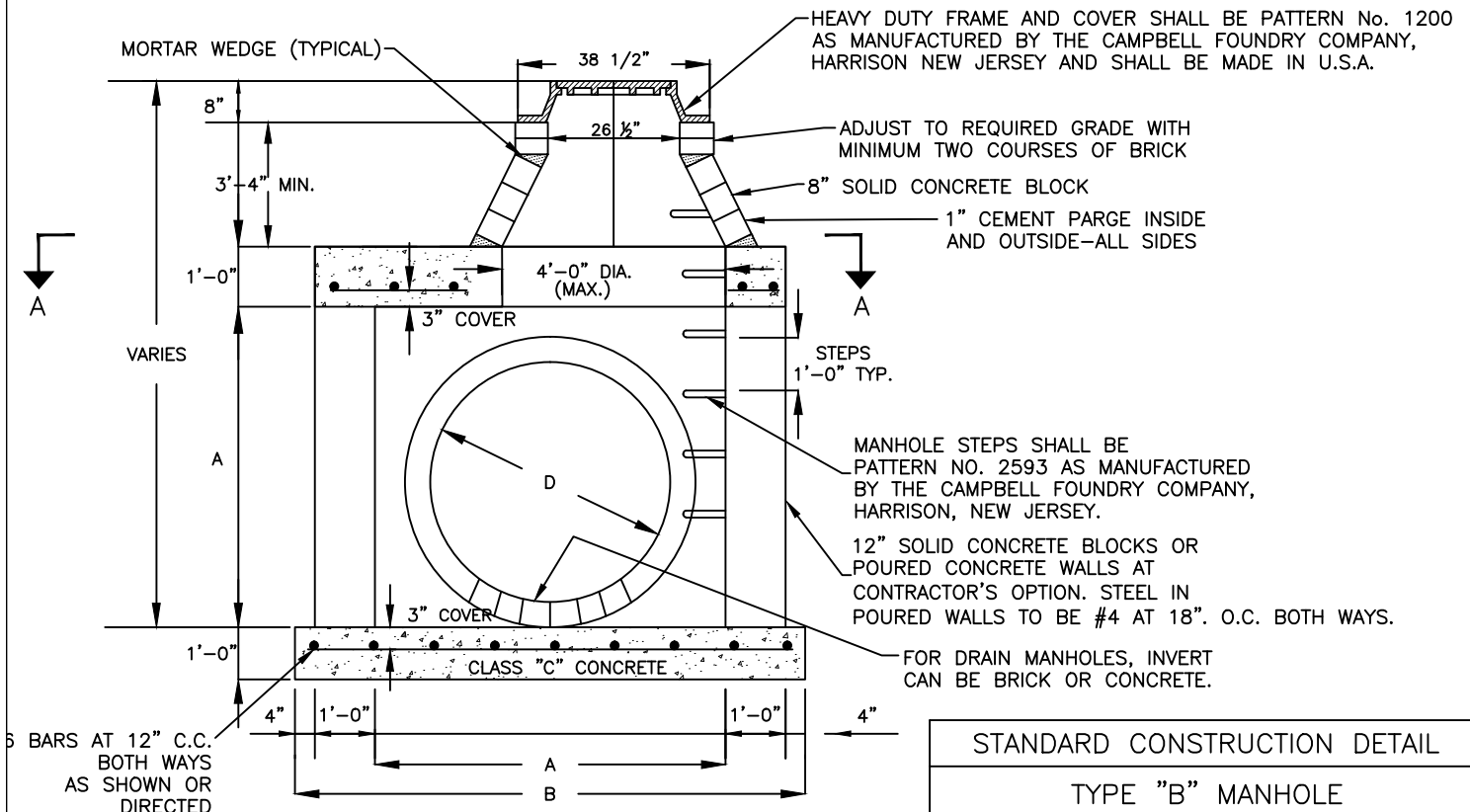
8 - #6 BARS E.F. AS SHOWN OR DIRECTED.

SECTION A-A

MANHOLE DIMENSIONS		
PIPE DIA. D	A	B
48"	4'-10"	7'-6"
54"	5'-5"	8'-1"
60"	6'-0"	8'-8"
66"	6'-7"	9'-3"
72"	7'-2"	9'-10"
78"	7'-9"	10'-5"
84"	8'-3"	10'-11"
90"	8'-10"	11'-6"
96"	9'-5"	12'-1"

NOTES:

- UNLESS OTHERWISE SPECIFIED, SANITARY MANHOLES SHALL HAVE LETTERS "SEWER" AND DRAIN MANHOLES SHALL HAVE LETTERS "DRAIN" CAST ON THE COVERS. THE SANITARY MANHOLE COVERS SHALL HAVE VENT HOLES.
- ALL INTERIOR AND EXTERIOR SURFACES OF MANHOLE GRADE ADJUSTMENT COURSES SHALL BE COVERED WITH 1/4" TO 3/8" MASONRY CEMENT PLASTER.
- ALL EXTERIOR SURFACES OF MANHOLES SHALL BE GIVEN TWO COATS OF BITUMINOUS WATERPROOFING.
- MANHOLE FRAME AND COVER SHALL BE MADE IN U.S.A.



#6 BARS AT 12" C.C. BOTH WAYS AS SHOWN OR DIRECTED

STANDARD CONSTRUCTION DETAIL

TYPE "B" MANHOLE  
LARGE (CONCRETE BLOCK)

TOWN OF GREENWICH, CONNECTICUT  
ENGINEERING DIVISION  
DEPARTMENT OF PUBLIC WORKS

SCALE = N.T.S.