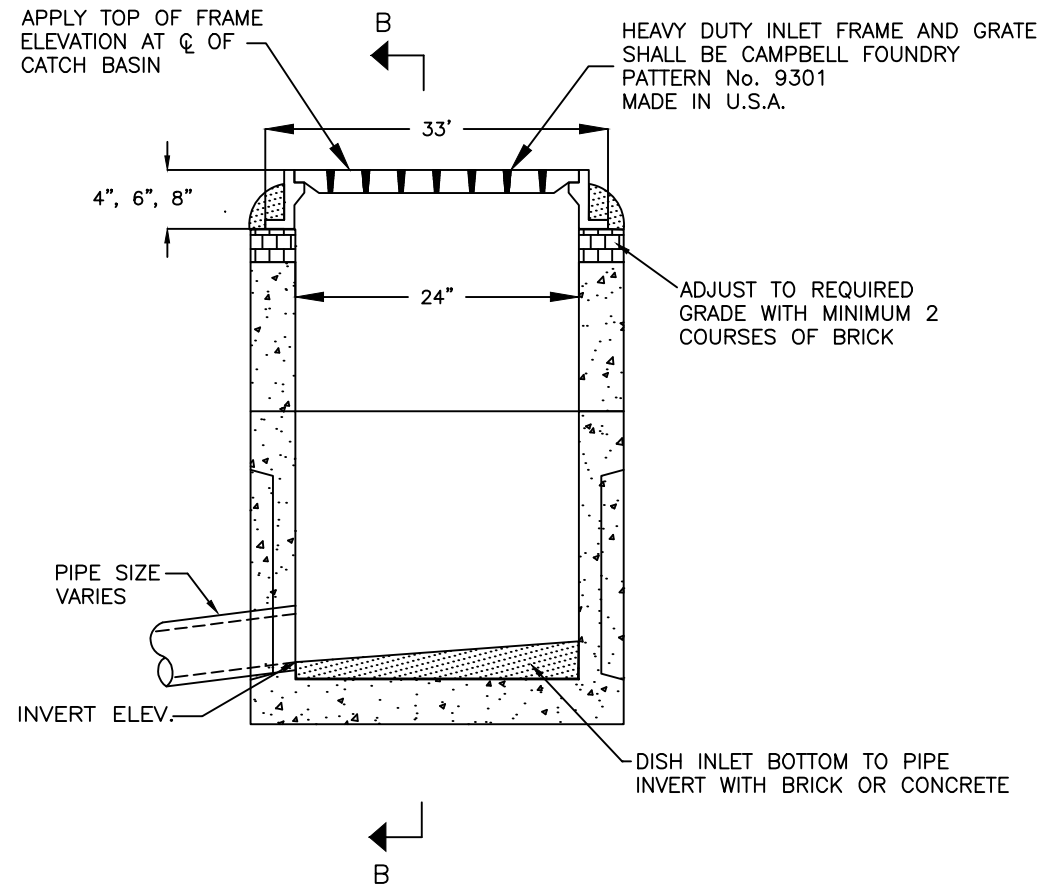


SECTIONAL ELEVATION B-B



SECTIONAL ELEVATION A-A

NOTES:

1. DIMENSION "A" SHALL BE CONSISTENT WITH THE INVERT ELEVATION SHOWN ON CONTRACT DRAWINGS. WHEN NO INVERT ELEVATION IS SPECIFIED DIMENSION "A" SHALL BE ADEQUATE TO PROVIDE A MINIMUM OF 2'-0" OF COVER OVER PIPE.
2. THICKNESS OF FRAME (4", 6", OR 8") TO BE DETERMINED IN THE FIELD ACCORDING WITH THE FINISH GRADE ELEVATION
3. 8" WALLS PRECAST CONCRETE UNITS AS MANUFACTURED BY PRECAST CONCRETE SALES CO. UPON REQUEST OR APPROVED EQUAL.

SCALE = N.T.S.

STANDARD CONSTRUCTION DETAIL
<b>TYPE "C-4"</b>
<b>PRECAST INLET</b>
TOWN OF GREENWICH, CONNECTICUT ENGINEERING DIVISION DEPARTMENT OF PUBLIC WORKS