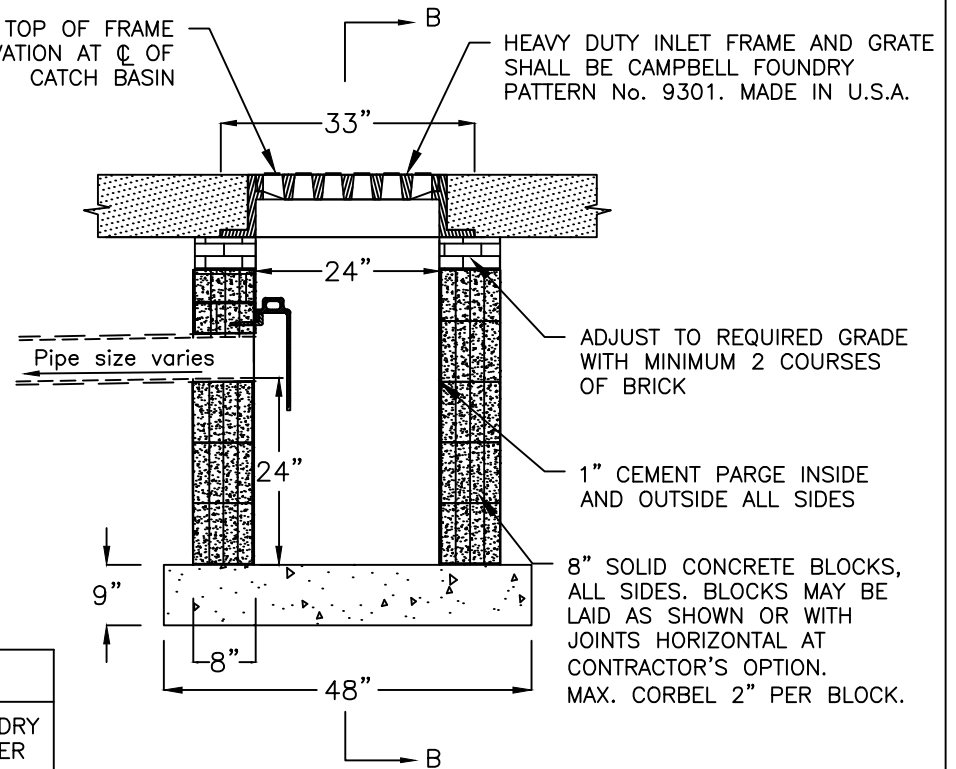


SECTIONAL ELEVATION B-B

TABLE FOR CATCH BASIN TRAP ASSEMBLY	
PIPE SIZE	CAMPBELL FOUNDRY PATTERN NUMBER
10"	2563
12"	2563
15"	2564
18"	2565



SECTIONAL ELEVATION A-A

NOTES:

1. DIMENSION "A" SHALL BE CONSISTENT WITH THE INVERT ELEVATION SHOWN ON CONTRACT DRAWINGS. WHEN NO INVERT ELEVATION IS SPECIFIED DIMENSION "A" SHALL BE ADEQUATE TO PROVIDE A MINIMUM OF 2' COVER OVER PIPE.
2. INCREASE WALL THICKNESS TO 12" FOR THOSE PORTIONS OF WALL AT DEPTHS GREATER THAN 8 FEET. INSIDE DIMENSIONS TO REMAIN THE SAME, FOOTING SIZE TO BE INCREASED 8".
3. THICKNESS OF FRAME (4", 6", OR 8") TO BE DETERMINED IN THE FIELD ACCORDING WITH THE FINISH GRADE ELEVATION.

SCALE = N.T.S.

STANDARD CONSTRUCTION DETAIL
TYPE "C-4" CONCRETE BLOCK CATCH BASIN
TOWN OF GREENWICH, CONNECTICUT ENGINEERING DIVISION DEPARTMENT OF PUBLIC WORKS