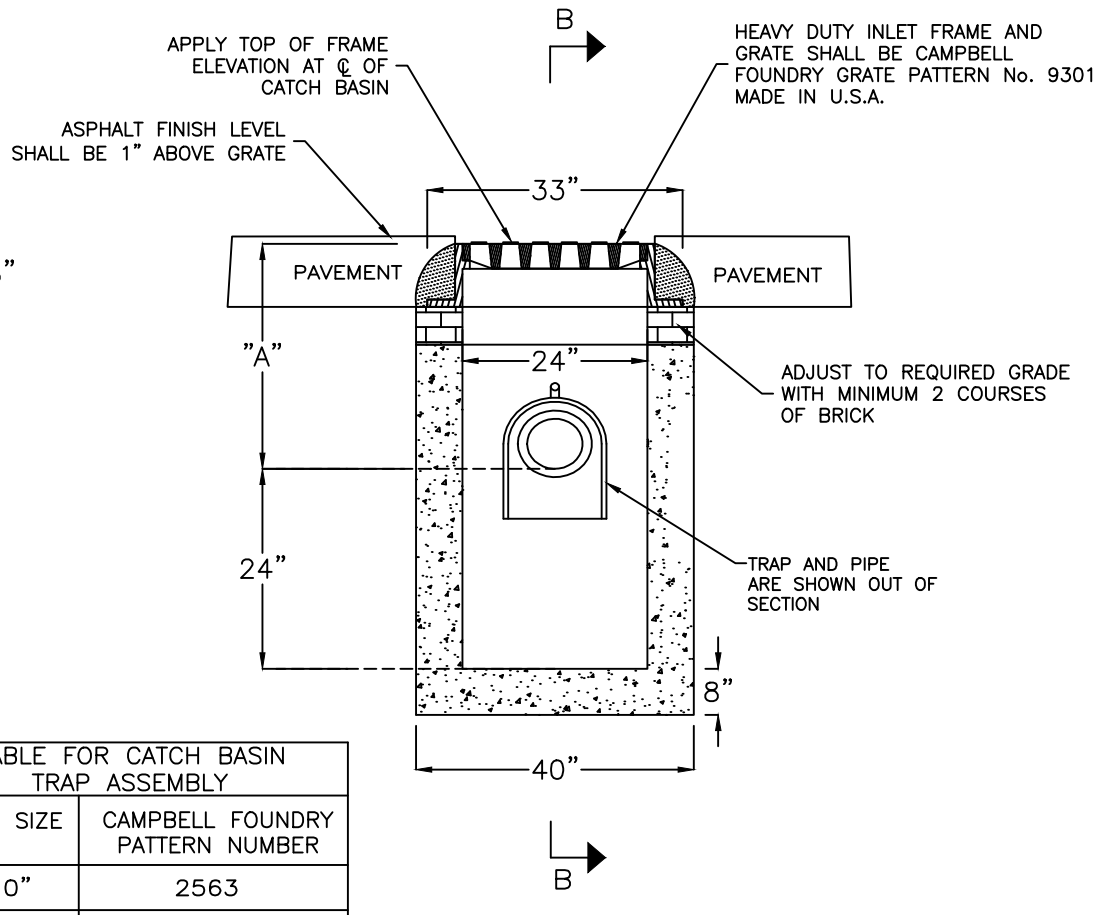


SECTIONAL ELEVATION B-B



SECTIONAL ELEVATION A-A

PIPE SIZE	CAMPBELL FOUNDRY PATTERN NUMBER
10"	2563
12"	2563
15"	2564
18"	2565

NOTES:

1. DIMENSION "A" SHALL BE CONSISTENT WITH THE INVERT ELEVATION SHOWN ON CONTRACT DRAWINGS. WHEN NO INVERT ELEVATION IS SPECIFIED, DIMENSION "A" SHALL BE ADEQUATE TO PROVIDE A MINIMUM OF 2'-0" OF COVER OVER PIPE.
2. THICKNESS OF FRAME (4", 6", OR 8") TO BE DETERMINED IN THE FIELD ACCORDING WITH FINISH GRADE ELEVATION.
3. 8" WALLS PRECAST CONCRETE UNIT AS MANUFACTURED BY PRECAST CONCRETE SALES CO. UPON REQUEST OR APPROVED EQUAL.

SCALE = N.T.S.

STANDARD CONSTRUCTION DETAIL
TYPE "C-4" PRECAST CATCH BASIN
TOWN OF GREENWICH, CONNECTICUT ENGINEERING DIVISION DEPARTMENT OF PUBLIC WORKS