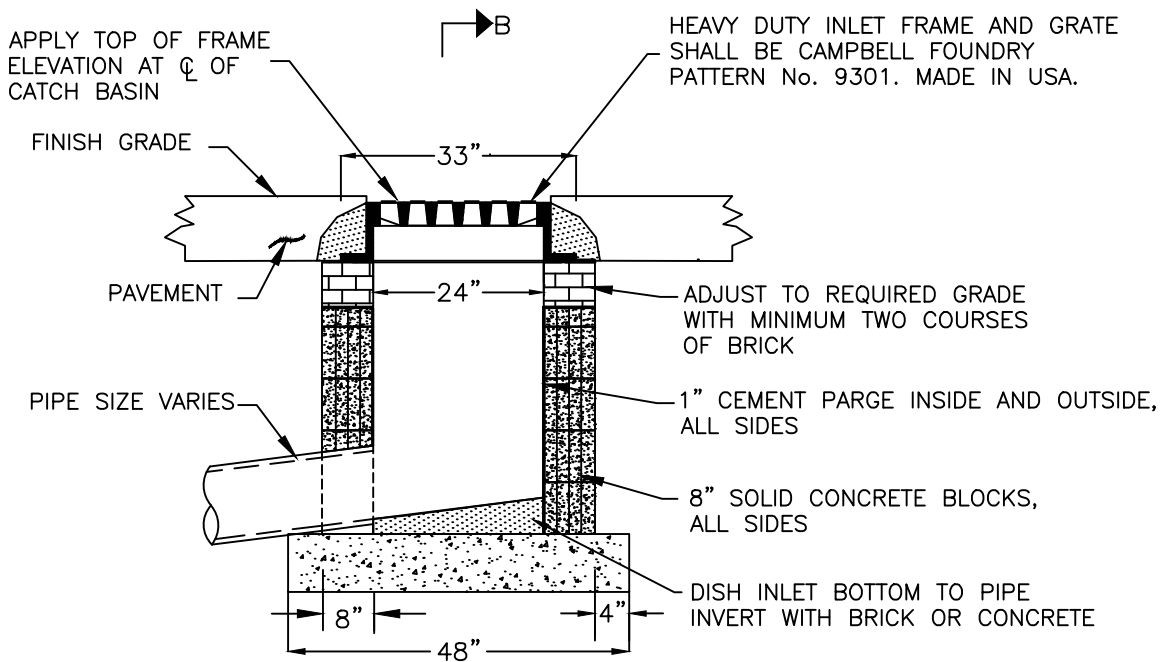


SECTION ELEVATION B-B



SECTION ELEVATION A-A

NOTES:

1. DIMENSION "A" SHALL BE CONSISTENT WITH INVERT ELEVATION SHOWN ON DRAWINGS. WHEN NO INVERT IS SPECIFIED, DIMENSION "A" SHALL BE ADEQUATE TO PROVIDE A MINIMUM OF 2'-0" COVER OVER PIPE.
2. THICKNESS OF FRAME (4", 6", OR 8") TO BE DETERMINED IN THE FIELD ACCORDING WITH THE FINISH GRADE ELEVATION.

SCALE = N.T.S.

STANDARD CONSTRUCTION DETAIL
TYPE "C-4"
CONCRETE BLOCK INLET
TOWN OF GREENWICH, CONNECTICUT
ENGINEERING DIVISION
DEPARTMENT OF PUBLIC WORKS