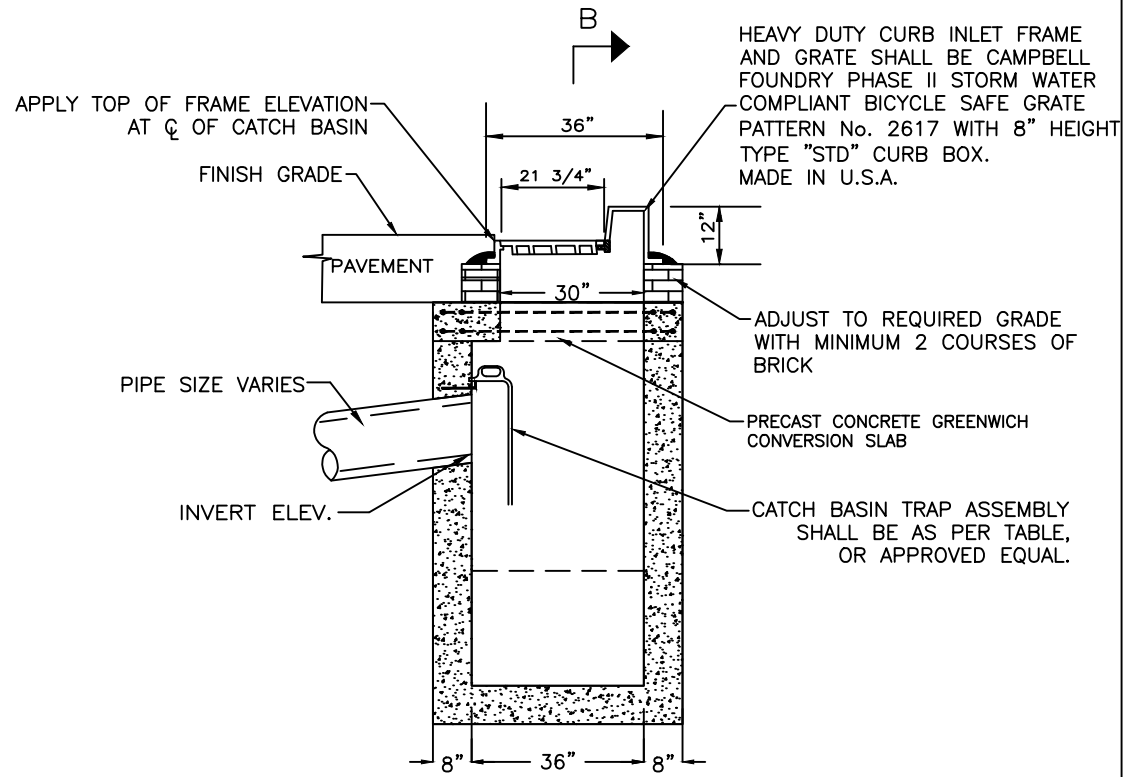


SECTIONAL ELEVATION B-B



SECTIONAL ELEVATION A-A

TABLE FOR CATCH BASIN TRAP ASSEMBLY	
PIPE SIZE	CAMPBELL FOUNDRY PATTERN NUMBER
10"	2563
12"	2563
15"	2564
18"	2565

**NOTES:**

1. DIMENSION "A" SHALL BE CONSISTENT WITH THE INVERT ELEVATION SHOWN ON CONTRACT DRAWINGS. WHEN NO INVERT ELEVATION IS SPECIFIED, DIMENSION "A" SHALL BE ADEQUATE TO PROVIDE A MINIMUM OF 2'-0" OF COVER OVER PIPE.

SCALE = N.T.S.

STANDARD CONSTRUCTION DETAIL
<b>TYPE "C-1" PRECAST CATCH BASIN</b>
TOWN OF GREENWICH, CONNECTICUT ENGINEERING DIVISION DEPARTMENT OF PUBLIC WORKS