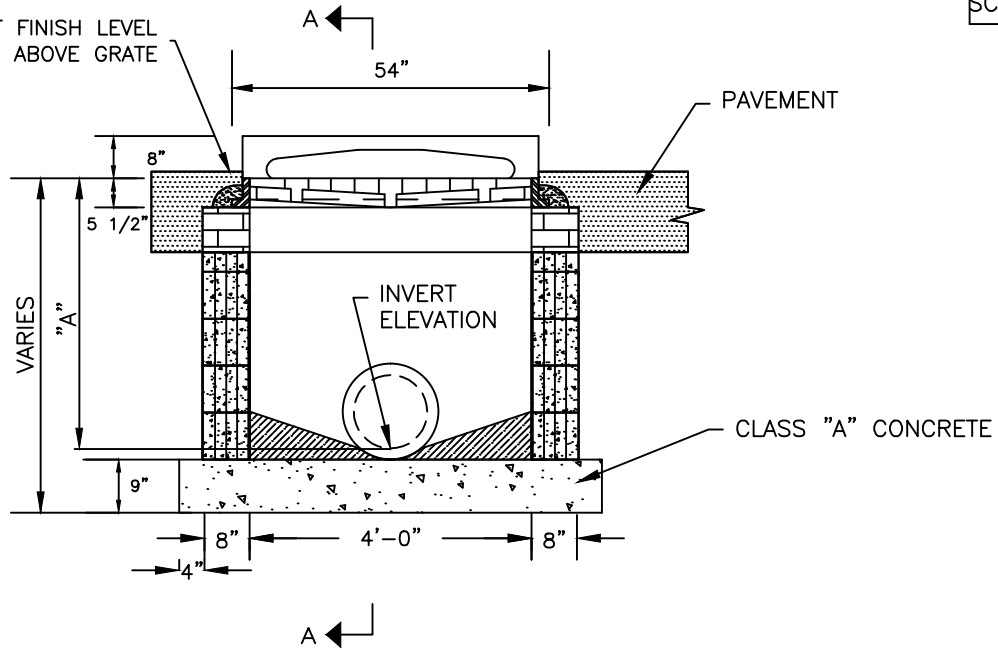
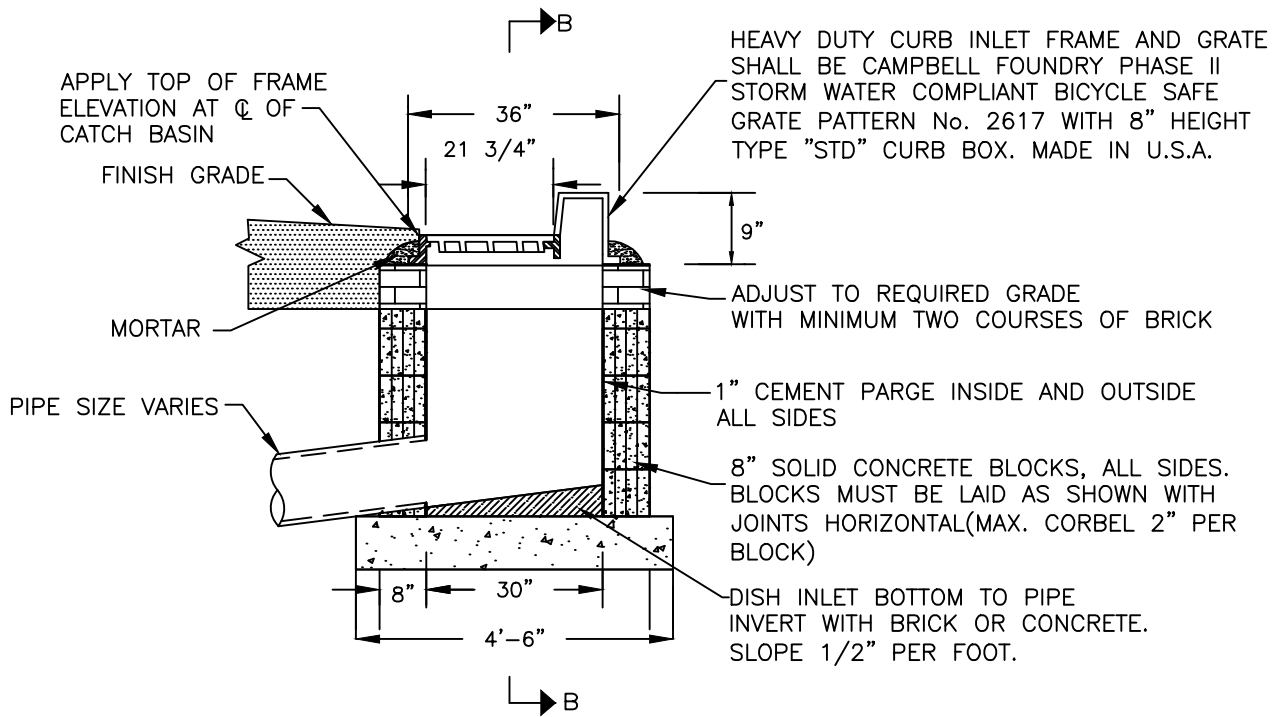


ASPHALT FINISH LEVEL SHALL BE 1" ABOVE GRATE



SECTION ELEVATION B-B



SECTION ELEVATION A-A

NOTES:

1. DIMENSION "A" SHALL BE CONSISTENT WITH THE INVERT ELEVATION SHOWN ON CONTRACT DRAWINGS. WHEN NO INVERT ELEVATION IS SPECIFIED, DIMENSION "A" SHALL BE ADEQUATE TO PROVIDE A MINIMUM OF 2'-0" OF COVER OVER PIPE.

SCALE = N.T.S.

STANDARD CONSTRUCTION DETAIL
<b>TYPE "C-1" CONCRETE BLOCK INLET</b>
TOWN OF GREENWICH, CONNECTICUT ENGINEERING DIVISION DEPARTMENT OF PUBLIC WORKS