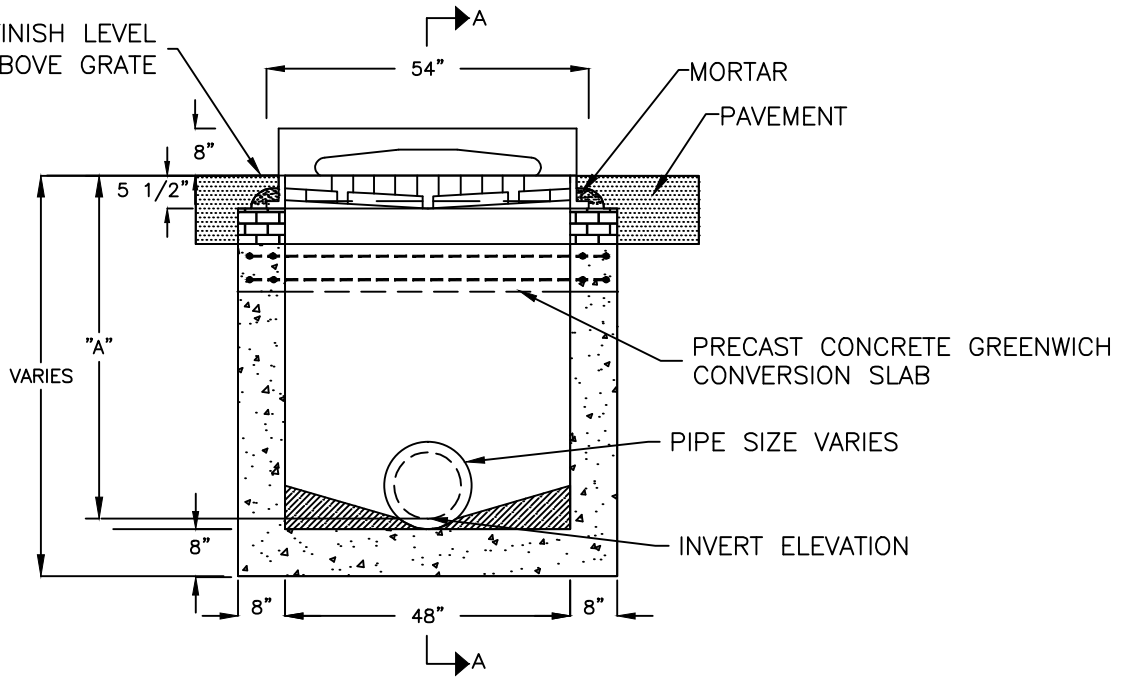


ASPHALT FINISH LEVEL SHALL BE 1" ABOVE GRATE

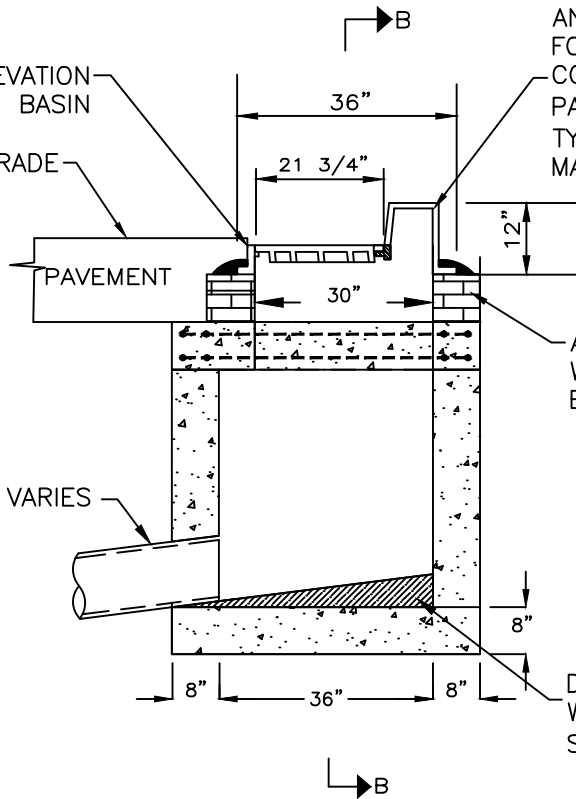


SECTION ELEVATION B-B

APPLY TOP OF FRAME ELEVATION AT ϕ OF CATCH BASIN

FINISH GRADE

PIPE SIZE VARIES



HEAVY DUTY CURB INLET FRAME AND GRATE SHALL BE CAMPBELL FOUNDRY PHASE II STORM WATER COMPLIANT BICYCLE SAFE GRATE PATTERN No. 2617 WITH 8" HEIGHT TYPE "STD" CURB BOX. MADE IN U.S.A.

ADJUST TO REQUIRED GRADE WITH MINIMUM 2 COURSES OF BRICK

DISH INLET BOTTOM TO PIPE INVERT WITH BRICK OR CONCRETE SLOPE 1/2" PER FOOT.

SECTION ELEVATION A-A

NOTES:

1. DIMENSION "A" SHALL BE CONSISTENT WITH THE INVERT ELEVATION SHOWN ON CONTRACT DRAWINGS. WHEN NO INVERT ELEVATION IS SPECIFIED, DIMENSION "A" SHALL BE ADEQUATE TO PROVIDE A MINIMUM OF 2'-0" OF COVER OVER PIPE.

SCALE = N.T.S.

STANDARD CONSTRUCTION DETAIL
TYPE "C-1"
PRECAST INLET
TOWN OF GREENWICH, CONNECTICUT ENGINEERING DIVISION DEPARTMENT OF PUBLIC WORKS