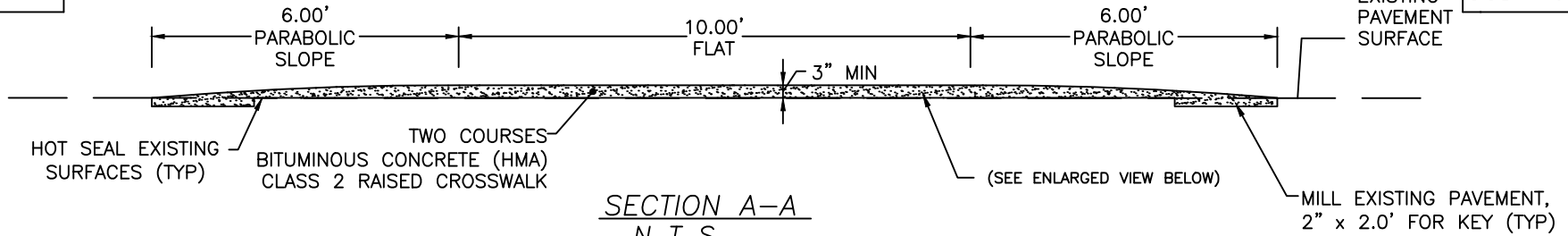
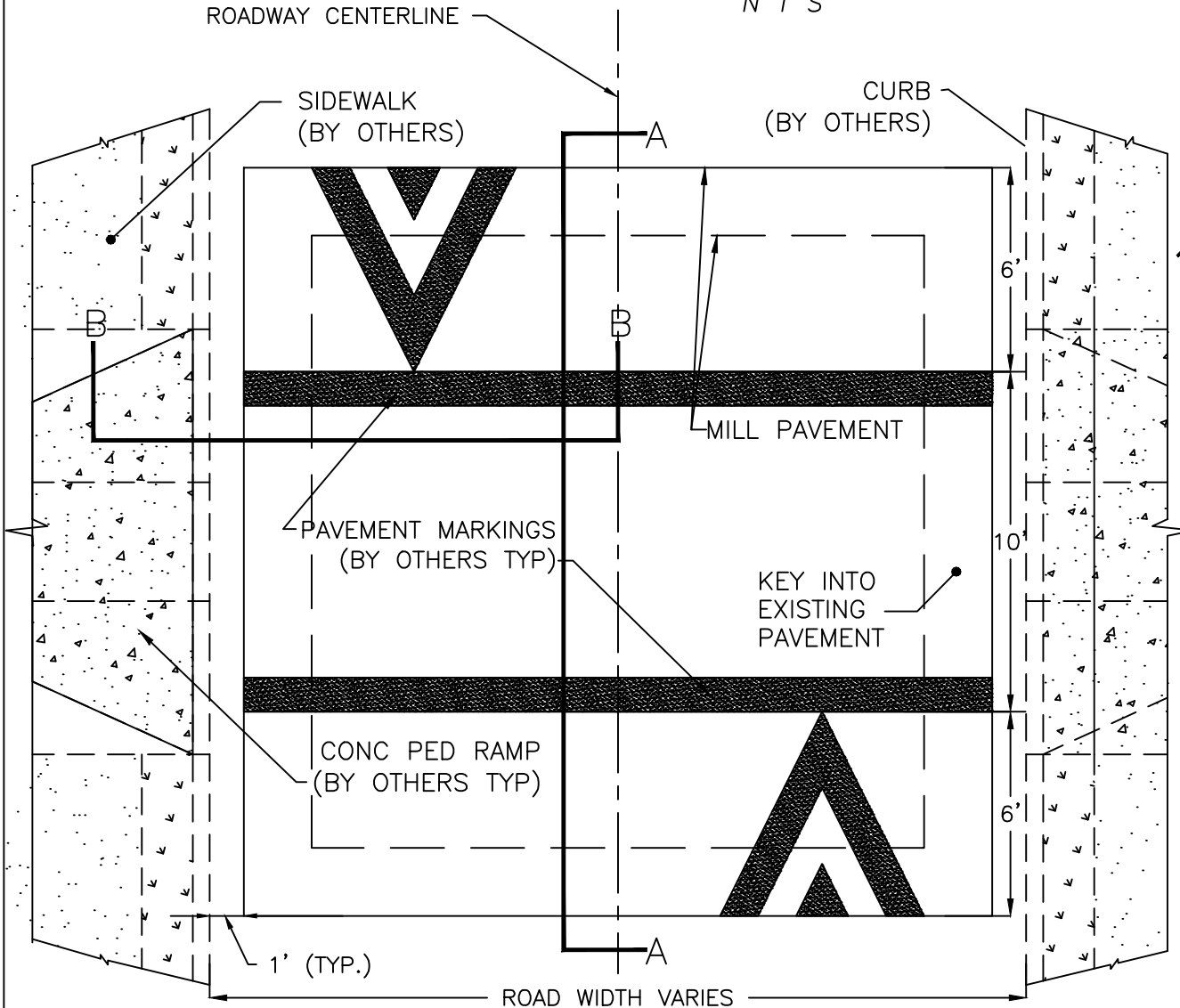


03/31/14

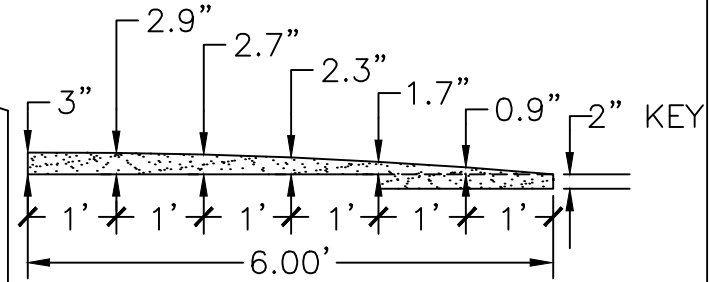
SCD No. 406.26



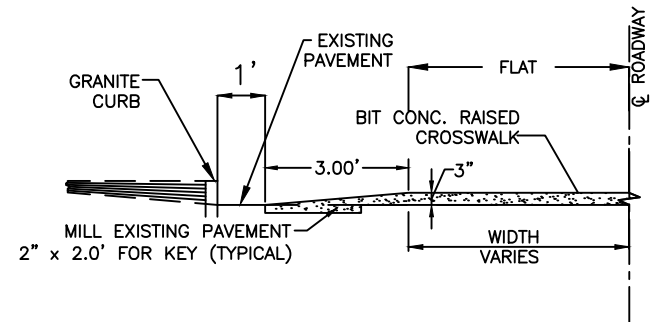
SECTION A-A
N T S



RAISED CROSSWALK PLAN
N T S



PARABOLIC SECTION - ENLARGED VIEW
N T S



HALF-SECTION B-B
N T S

STANDARD CONSTRUCTION DETAIL
BITUMINOUS CONCRETE (HMA) RAISED CROSSWALK
TOWN OF GREENWICH, CONNECTICUT ENGINEERING DIVISION DEPARTMENT OF PUBLIC WORKS